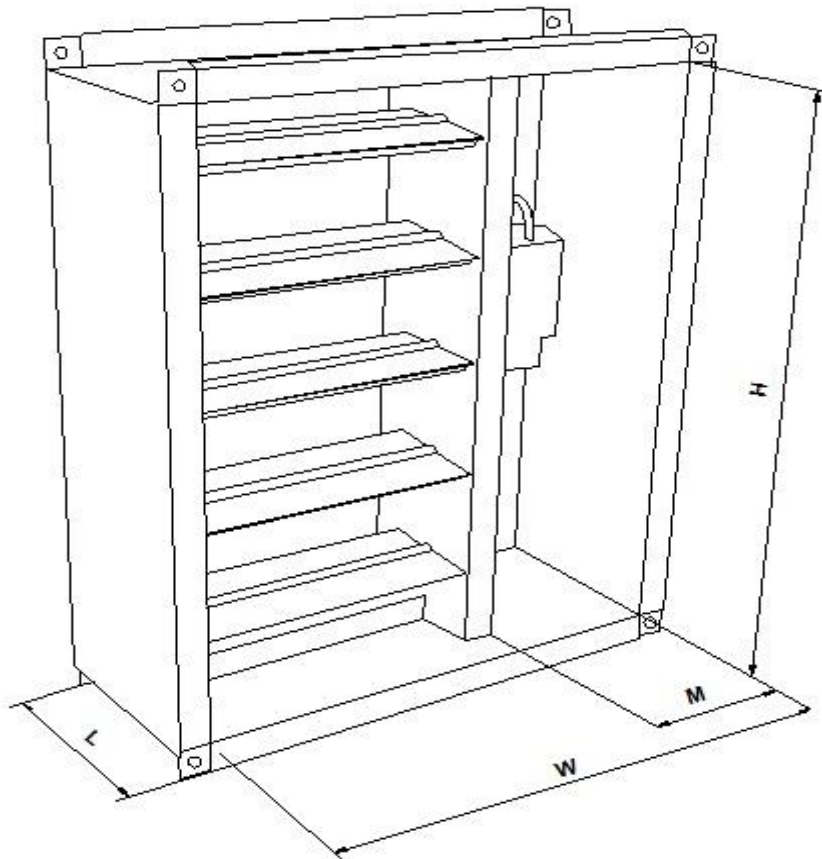


SMOKE DAMPERS (DTY-05)



- Material** : It is made from corrosion-resisting galvanized steel sheet with 1.2mm thickness.
- Place of Use** : It is dependably used to clear the smoke being engendered by fire through the smoke-discharge fan. Turning on and off the flaps of the damper is induced by servo-drive motors. These motors can be activated by mechanical on/off or energy-induced on/off (floating control).
- Assembly** : It is a standard cold-driven rivet. It is optional or out of necessity to have it in multi-flap or single-flap production.
- Specifications** : The product is manufactured as heat-resistant and leak-proof, thanks to the design of its flap joint mechanism and the flap's structure. The heat-resistant servo motor is isolated by being mounted on a self-contained compartment which does not cause any effective loss of field.
- Accessories** : Servo motor, additional case, mounting frame, coupled grille (it can be mounted inside the damper's case).



M = 150 mm. is manufactured
 L = 160 mm. is manufactured

STANDARD ORDERS FOR THE EFFECTIVE AREA

		W							
		300	400	500	600	700	800	900	1000
H	300	0,04	0,07	0,10	0,13	0,16	0,19	0,22	0,25
	400	0,05	0,09	0,13	0,17	0,21	0,25	0,29	0,33
	500	0,07	0,12	0,17	0,22	0,27	0,32	0,37	0,42
	600	0,08	0,14	0,20	0,26	0,32	0,38	0,44	0,50
	700	0,09	0,16	0,23	0,30	0,37	0,44	0,51	0,58
	800	0,10	0,18	0,26	0,34	0,42	0,50	0,58	0,66
	900	0,12	0,21	0,30	0,39	0,48	0,57	0,66	0,75
	1000	0,13	0,23	0,33	0,43	0,53	0,63	0,73	0,83