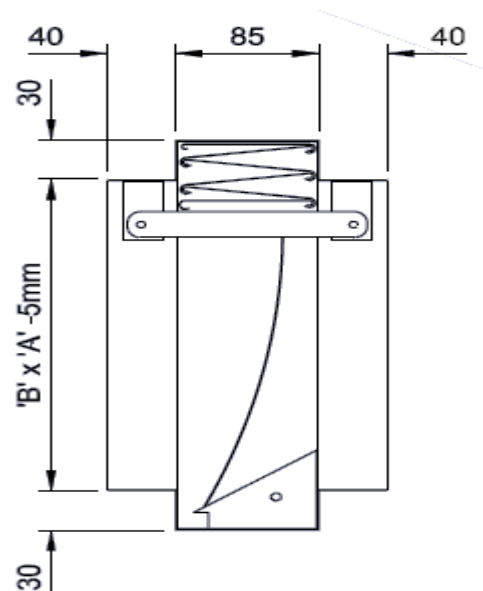
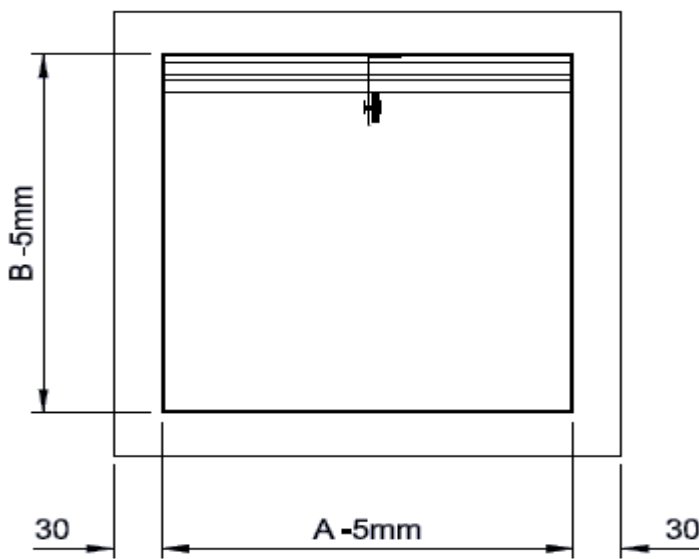
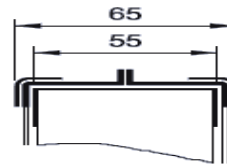
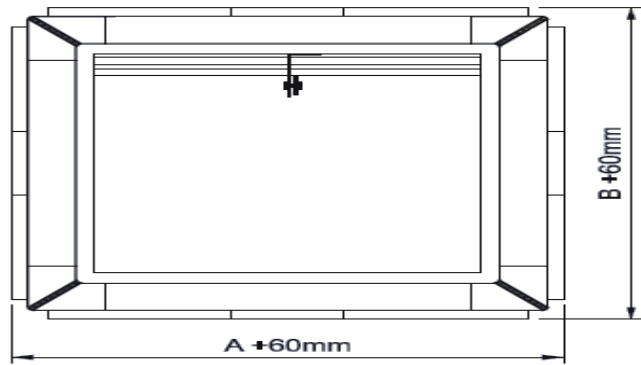
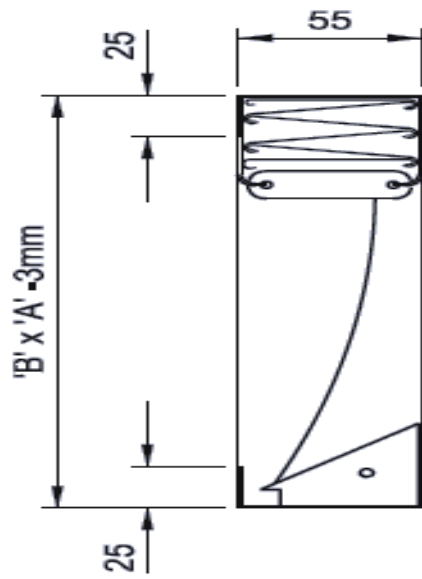


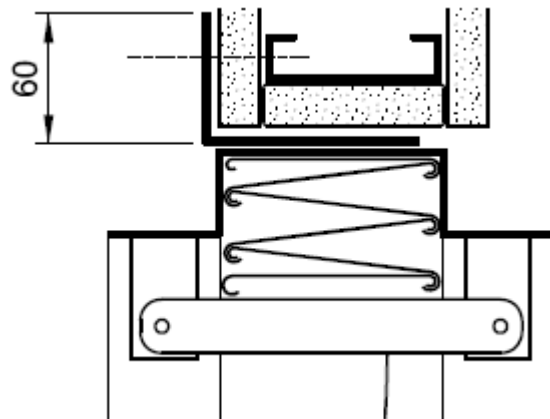
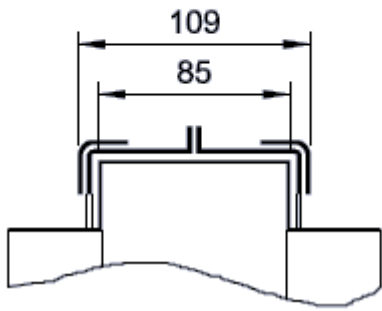
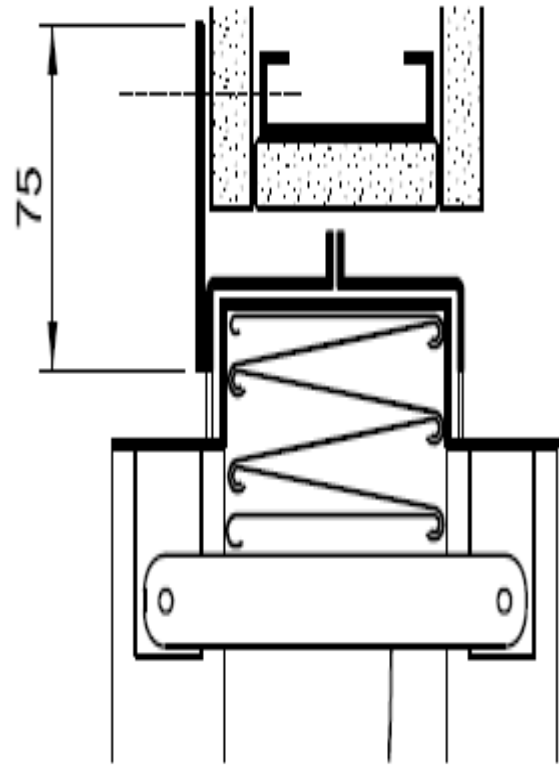
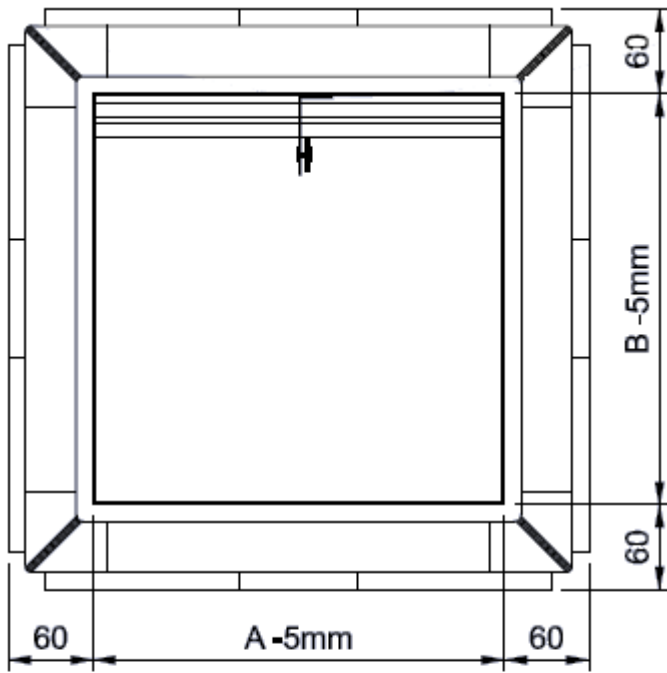
FIRE DAMPER – DTY-04



- Material** : Blades are made for 1.2 mm. galvanized sheet metal
- Description** : It prevents spreading of fire between two neighboring area by cutting air ventilation. When the temperature rises 72 °c, fusible link mechanism shut down the damper blade. For motorized damper, the actuator closes the blade coming any signal to the actuator.
- Assembly** : As a standard cold riveted
- Properties** : As with the mechanism and the wing structure DTY-04 has a sealing characteristic. Damper has an in tumescent gasket around the vale swelling with heat in
- Accessory** : Additional casing, Actuator, Micro switch, mounting sub frame.
- Surface Covering** : Fire Dampers are produced by galvanized sheet metal without paint.

TECHNICAL INFORMATION





PRESSURE LOSS (Pa)											
DUCT VELOCITY (m/s)	1	2	3	4	5	6	7	8	9	10	15
LOW-MEDIUM 150x150	1	3	6	10	15	20	28	33	39	44	60
91-95% FREE AREA 1000x1000	-	-	2	3	4	5	6	8	9	10	15
DUCT VELOCITY (m/s)	3	4	6	8	10	20	30	40	50		
LOW-- HIGH 150x150	2	4	8	16	23	70	200	-	-		
100% FREE AREA 1000 x 1000	-	-	3	5	6	20	50	100	180		

	WEIGHT CHART (Kg)									
	DAMPER WIDTH (mm)									
	DAMPER HIGHT (mm)	100	200	300	400	500	600	700	800	900
100	2.0	3.0	4.0	5.0	6.5	7.0	8.0	9.0	9.5	10.0
200	3.0	3.5	4.0	5.0	7.0	8.0	9.0	10.0	11.0	12.0
300	3.5	4.0	4.5	5.5	7.0	9.0	9.5	10.5	12.0	13.0
400	4.0	5.0	5.5	6.0	7.5	10.0	11.0	12.0	13.0	14.0
500	5.0	6.0	7.0	7.5	8.5	11.0	12.0	13.0	15.0	16.0
600	6.0	7.0	8.0	8.0	9.5	12.0	13.0	14.0	16.0	17.0
700	7.0	8.0	9.0	9.5	10.5	13.0	14.0	15.0	17.0	18.0
800	8.0	9.0	10.0	10.0	12.0	14.0	15.0	16.0	18.0	19.0
900	9.0	10.0	11.5	12.0	14.0	15.0	15.5	17.0	18.0	20.0
1000	10.0	12.0	13.0	14.0	15.0	16.0	17.0	18.0	20.0	22.0