

FIRE DAMPERS – DTY-01



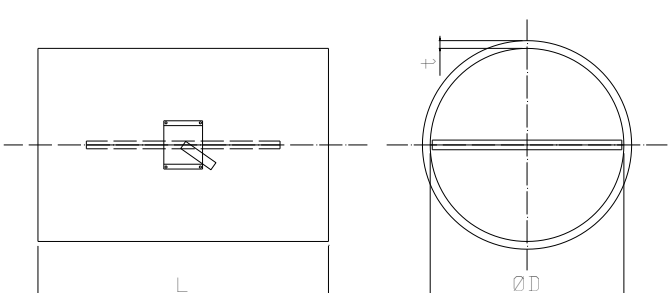
**DTY-01
RECTANGULAR FIRE DAMPER**



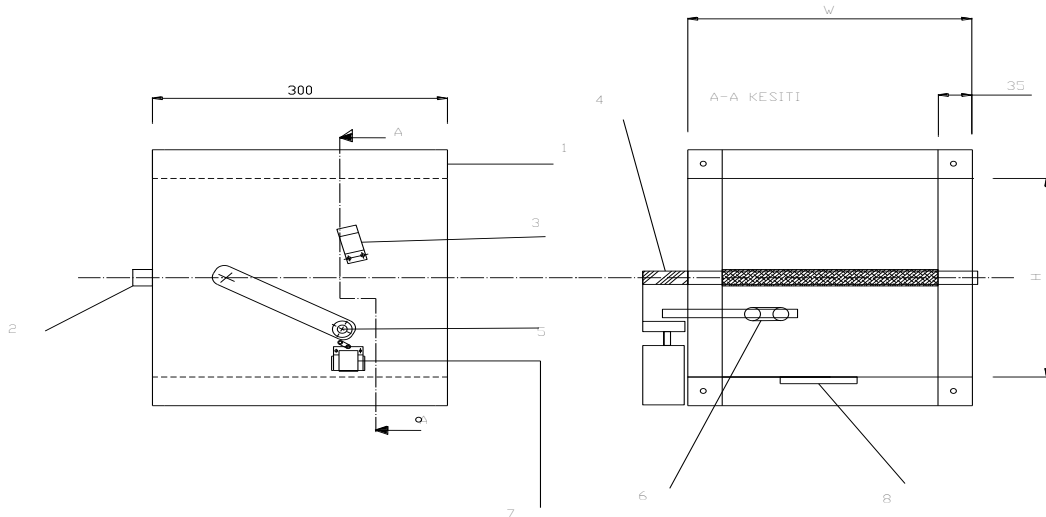
**DTY-02
CIRCULAR FIRE DAMPER
WITH FLANGE**

- Material** : Blades are made for 1.2 mm. galvanized sheet metal
- Description** : It prevents spreading of fire between two neighboring area by cutting air ventilation. When the temperature rises 72 °c, fusible link mechanism shut down the damper blade. For motorized damper, the actuator closes the blade coming any signal to the actuator.
- Assembly** : As a standard cold riveted
- Properties** : As with the mechanism and the wing structure DTY-01 or DTY-02 has a sealing characteristic. Damper has an intumescent gasket around the valve swelling with heating
- Accessory** : Additional casing, Actuator, Micro switch, mounting sub frame
- Surface Covering** : Fire Dampers are produced by galvanized sheet metal without paint.

STANDARD SIZES FOR ROUND FIRE DAMPER

	Ø D (mm)	L (mm)	t (mm)
	150	250	25
	200	250	25
	250	300	25
	300	350	25
	350	400	25
	400	450	25
	500	550	35
	600	650	35
	700	750	35
	800	850	35
	900	950	40
	1000	1050	40

STANDARD SIZE OF RECTANGULAR FIRE DAMPER



- 1- Casing (1.50 mm galvanized sheet steel)
- 2- Blade (30 mm Rockwool insulated)
- 3- Plate spring
- 4- Helical spring
- 5- Lever
- 6- Fusible Link
- 7- Micro switch
- 8- Inspection panel

W	200 – 300 – 400 – 500 – 600 – 700 – 800 – 900 – 1000 – 1100 – 1200 – 1300 – 1400 – 1500
H	150 – 200 – 300 – 400 – 500 – 600 – 700 – 800

Any combinations of these sizes

FIRE DAMPER INSTALLATION DETAILS

