

ACCESS PANEL – DTK-01

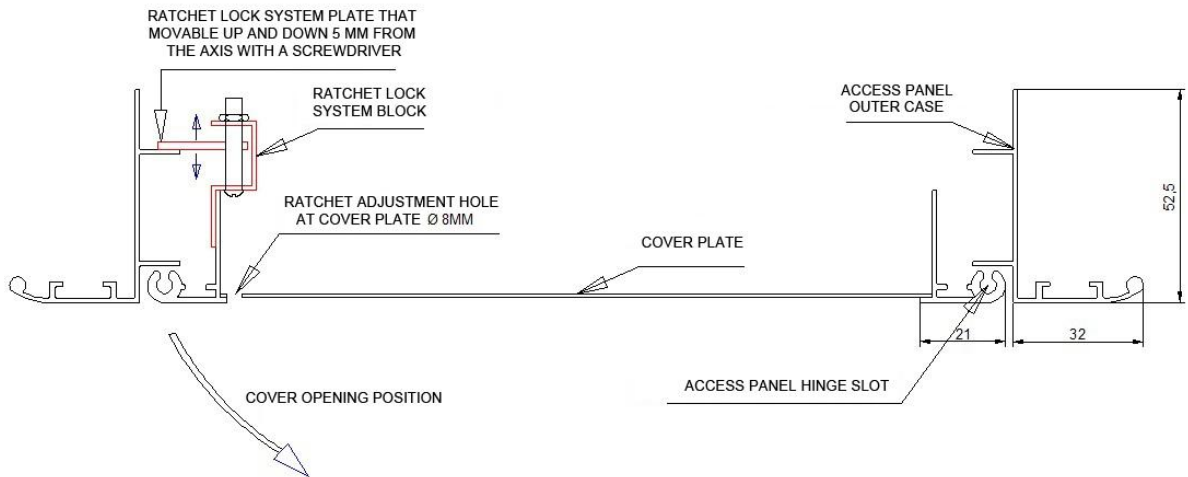


- Material** : Specially extruded aluminum profile.
- Description** : DTK-01 Type access door are designed for located where necessary for checking at air conditioning system..
- Properties** : They are used for all king of applications in air conditioning systems; air handling units etc to easy service. Two types are available as insulated .Single and double walled door panel .Frame's material is made of aluminum and door is aluminum sheet as standard .Galvanized or stainless steel door is optional.
- Surface Covering** : The air grilles are painted electrostatically whit colors of customer demand. Colored anodizing is also available upon request.

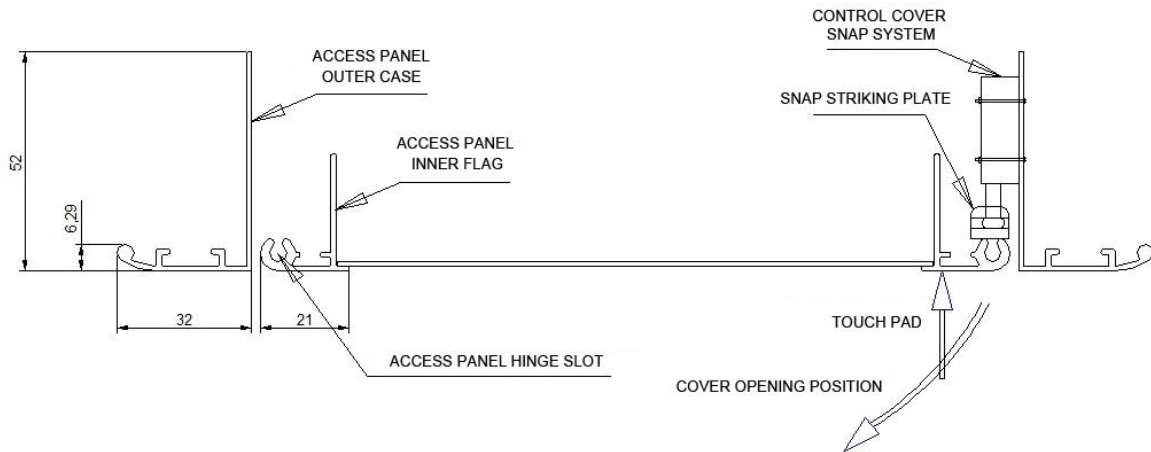
FRAME TYPES

22 MM NARROW CASE SNAPPED MODEL	32 MM WIDTH CASE SNAPPED MODEL	32 MM WIDTH CASE RATCHET MODEL	CONTROL COVER INNER FLAG PROFILE

DTK 01M – RATCHET CONTROL COVER ASSEMBLY PARTS



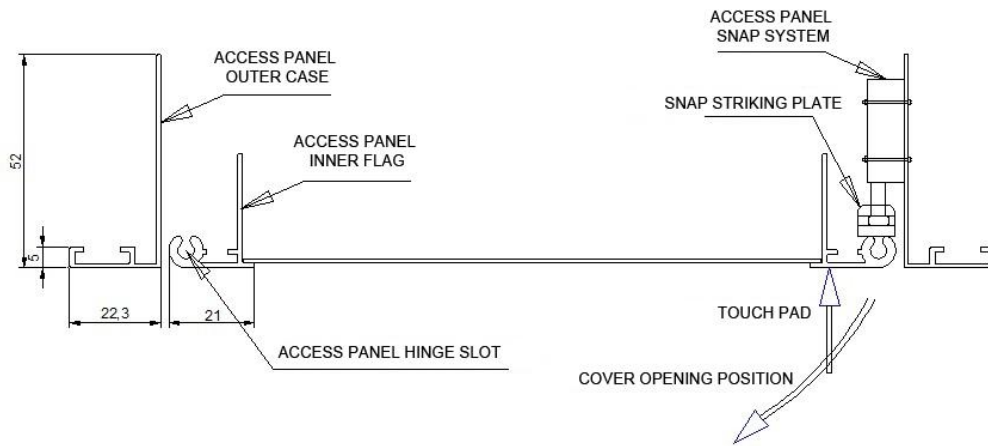
DTK 01C32 – 32 mm FRAMED SNAPPED CONTROL COVER ASSEMBLY PARTS



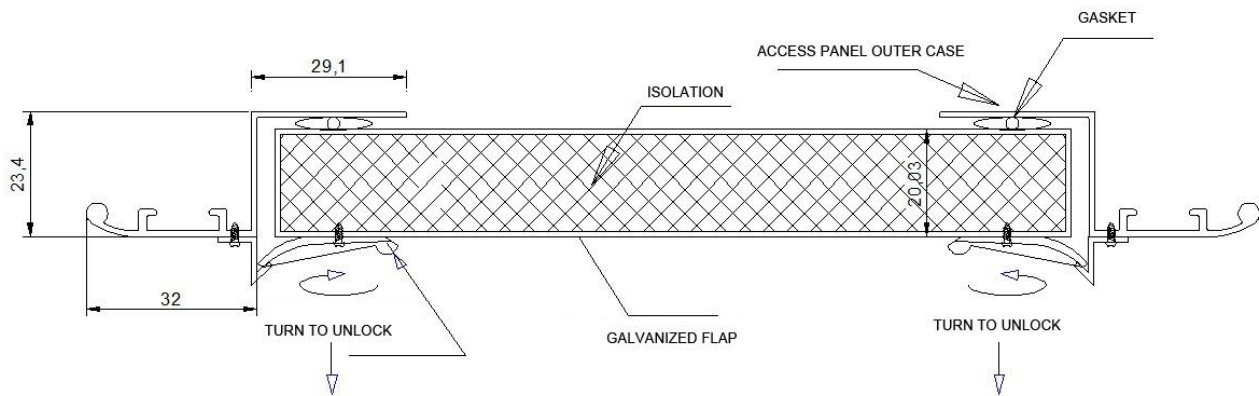
Control covers can be optionally used as air grilles under the devices.

Control covers that have linear grilles, egg grate grilles and perfore grilles can be produced optionally.

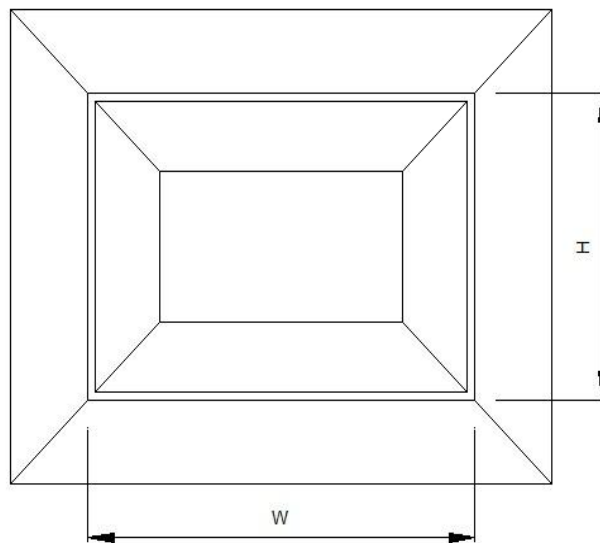
DTK 01C22-22 mm FRAMED SNAPPED ACCESS PANEL ASSEMBLY PARTS



DTK 01B LAGGED ACCESS PANEL ASSEMBLY PARTS



STANDARD SIZES



W 100 150 200 250 300 350 400 450 500 550 600 650 700

H 100 150 200 250 300 350 400 450 500 550 600 650 700

It is possible to any combination of these sizes.