

HEAT RECOVERY UNIT DTE-02



Material :Heat Recovery Units are manufactured from 1mm.dkp sheet with electrostatic powder coated.

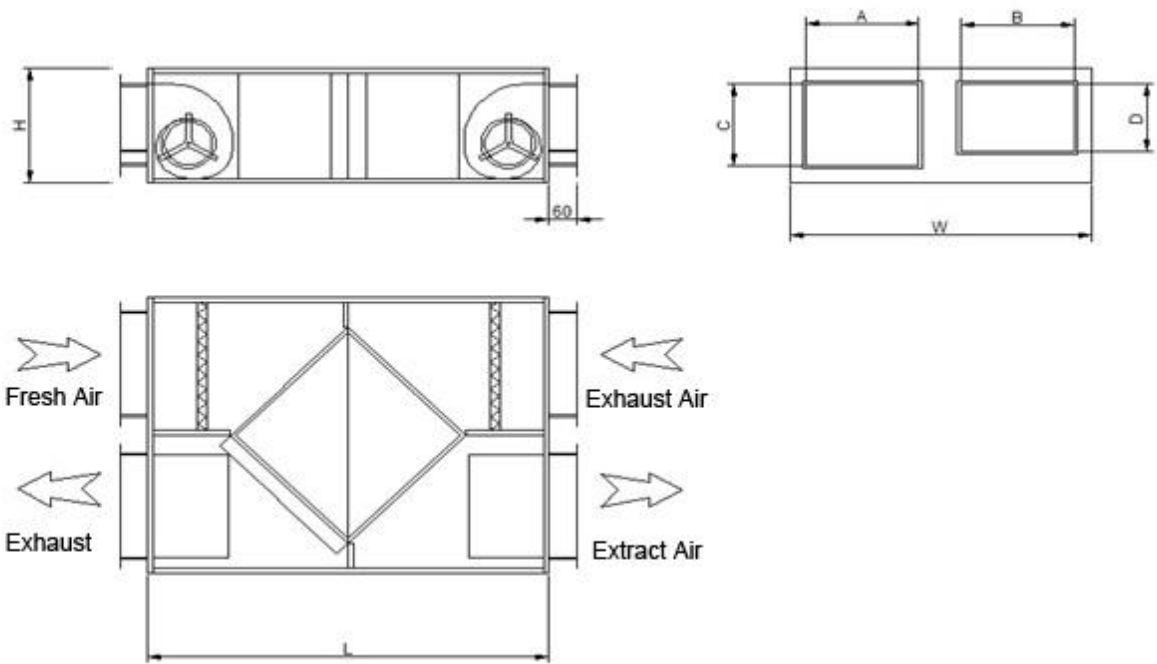
Place of use :That device is used on the ducts that are used for a ventilation of the place.

Features : The Heat Recovery Units are provide heat transfer from egzost air to fresh air. Air passing through the heat recovery unit makes heat transfer through the heat exchangers. temperature of ambient air inside so you will be given to the nearest air conditioned. Device panels has a sound and heat insulation. For this reason, the fans used in the noise level would not be disturbing. Filtered air is sent to the media by the addition of filter cassette. Device can be made between 250 m³ / h -4000 m³ / h standard manufacture.

Surface Coatings: This device is produced by electro-static powder coated as the code is RAL 5015

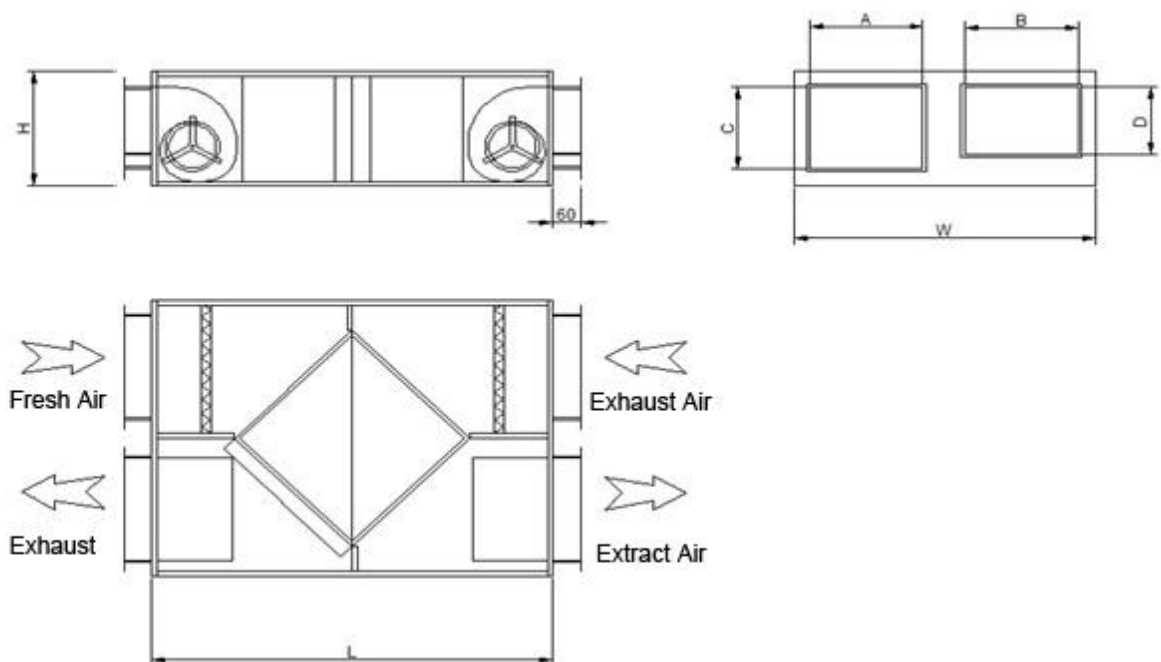
Accessories : Cassette Filter

HORIZONTAL POSITION

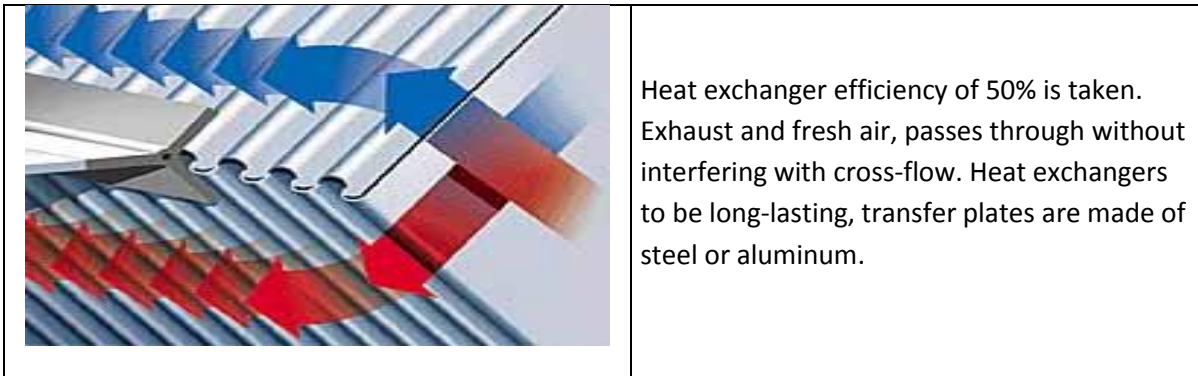


	DTE 250	DTE 500	DTE 750	DTE 1000	DTE 1500	DTE 2000	DTE 3000	DTE 4000
A	200	200	250	300	350	350	262	289
B	147	215	232	276	287	287	400	400
C	100	200	200	250	350	350	450	500
D	67	69	102	107	250	250	298	331

VERTICAL POSITION



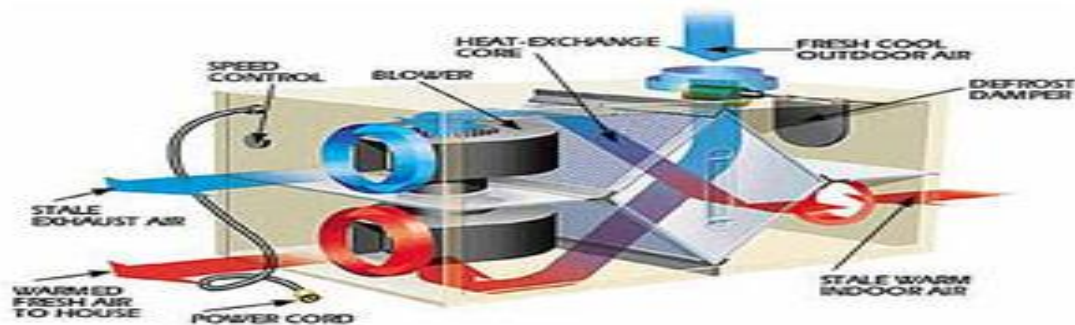
EASILY SELECTION TABLE



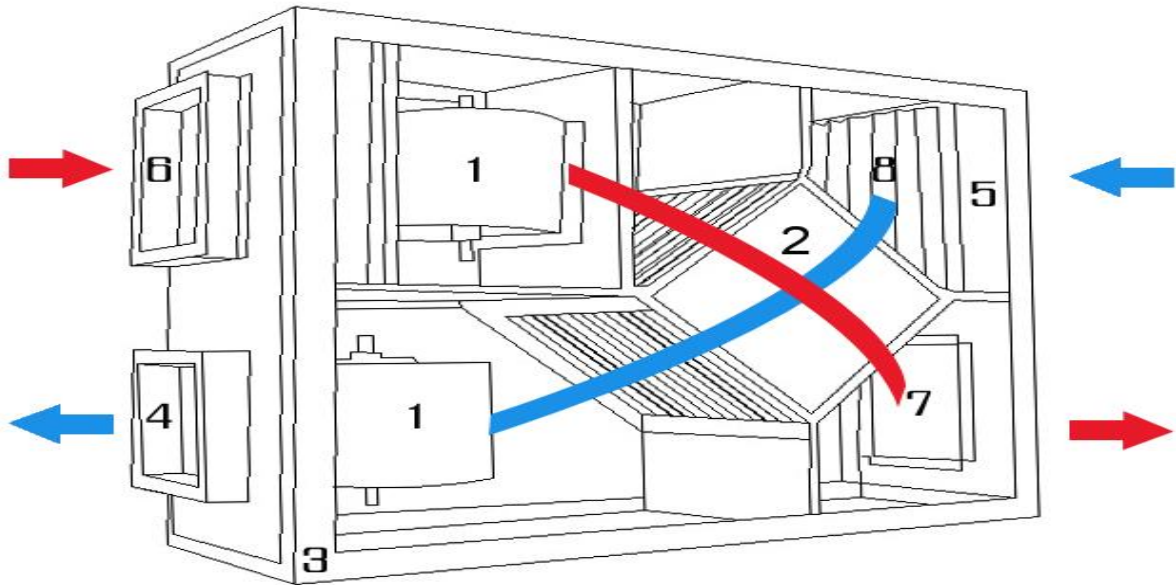
Heat exchanger efficiency of 50% is taken. Exhaust and fresh air, passes through without interfering with cross-flow. Heat exchangers to be long-lasting, transfer plates are made of steel or aluminum.

MODEL DTE		DTE 250	DTE 500	DTE 750	DTE 1000	DTE 1500	DTE 2000	DTE 3000	DTE 4000
Air Flow	m ³ /h	250	500	750	1000	1500	2000	3000	4000
Electrical Power	2300 VOLT - 50 Hz								
	W	2*87	2*190	2*300	2*410	2*490	2*650	2*1250	2*1500
	A	2*0,39	2*0,84	2*1,31	2*1,80	2*2,15	2*2,84	2*6	2*6,6
Dimensions	L	800	850	900	1120	1450	1450	1700	1800
	W	600	700	750	850	950	950	1100	1150
	H	250	325	325	400	450	450	600	700
Volume	dBa	36	38	41	43	45	47	51	53
Position		horizontal	horizontal	horizontal	horizontal	horizontal	horizontal	vertical	vertical
Blower Diameter	∅	145	215	232	276	287	287	298	331
Suction Diameter	∅	200	200	250	300	350	350	450	500
Pressure Loss	Pa	95	95	155	155	95	95	115	145

The optional filters are manufactured in the form of tape. Ease of cleaning and maintenance. The filter material G2-G3-G4 is used as synthetic or is used for G2-G3 metallic. Fans are used on the device, can be manufactured as a single-speed or speed setting switches.



AIR FLOW



- 1) RADIAL FAN
- 2) HEAT EXCHANGER
- 3) FRAME
- 4) AIR FRESH EXIT
- 5) AIR FRESH ENTRY
- 6) EXHAUST ENTRY
- 7) EXHAUST EXIT
- 8) FILTER



ADDITIONAL EQUIPMENT LOCATED ON THE DEVICE

<u>FUNCTION</u>	<u>INSTRUCTIONS</u>	<u>AVAILABLE</u>	<u>OPTIONAL</u>
EMERGENCY STOP BUTTON	WHEN EMERGENCY STOP THE DEVICE	(+)	
ELECTRICITY BOX	JUNCTION BOX OUT OF THE DEVICE	(+)	
INVERTOR KEY	KEY OF FAN SPEED ADJUSMENT	(+)	
INVERTOR KEY	KEY OF FAN SPEED ADJUSTMENT EACH FAN		(+)
AUTOMATION CONTROL	AUTOMATIONCONNECTIVITY		(+)
REMOTE CONTROL	FUNCTIONAL REMOTE CONTROL		(+)