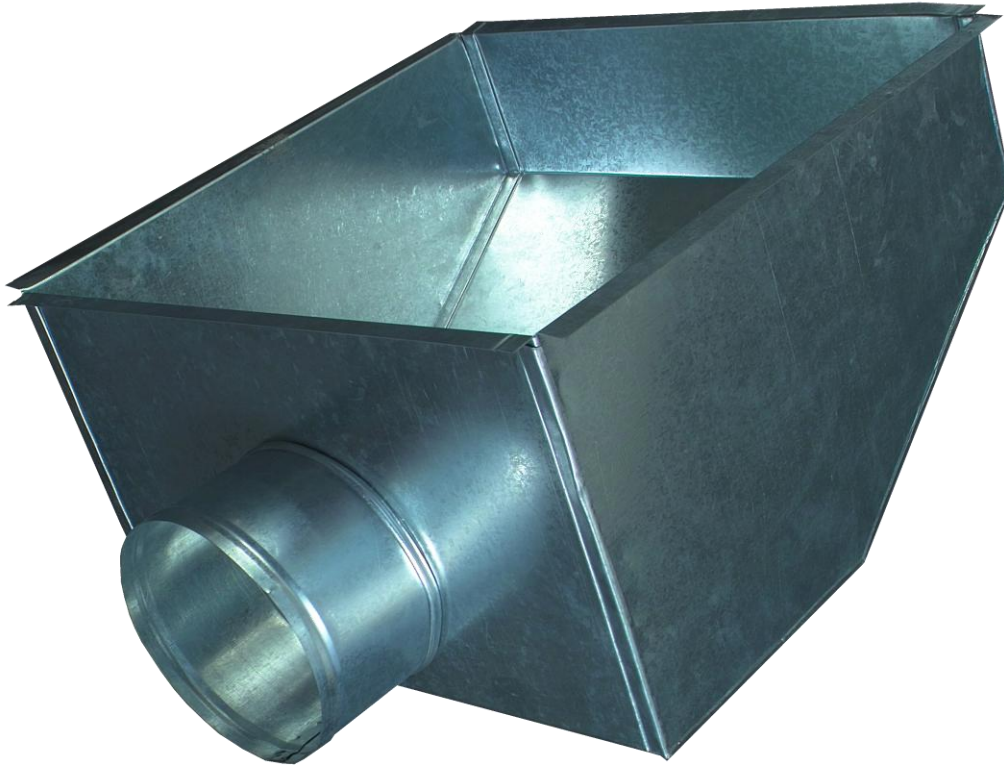
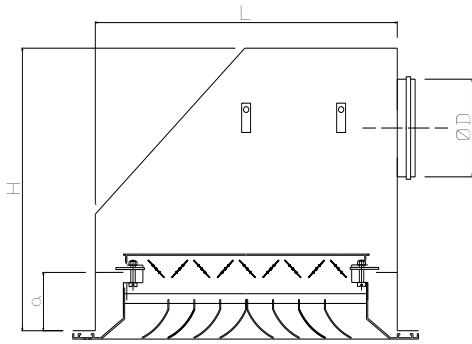


## DIFFUSER PLENUM BOX-DTD-14

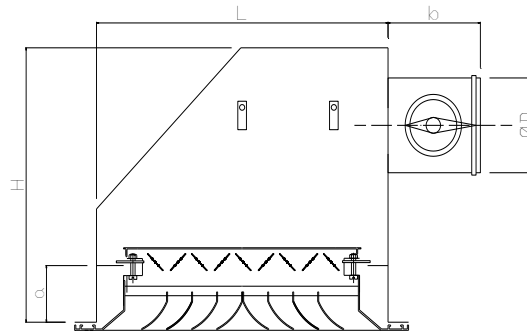


Material	: DTD-14 Diffuser Plenum Boxes are manufactured from 0,6 mm. thick steel sheet.
Function	: It can be used to direct homogeny air to the diffusers in air ventilation systems.
Installation	: Diffuser installation is with screw or clip system. Plenum boxes are hanged to ceiling by rod or wire
Properties	:The plenum boxes are made from 0,6 mm. thick galvanized steel sheet and have 4 handing brockets on their body .The plenum box is used to achieve throw characteristics .It has the inlet either at the or at one side .Depending on request a damper can be installed at the inlet which can be operated internally optionally,0,6 mm tick acoustic foam can be laid inside the plenum box.
Description	: The plenum Box are used in air ventilation systems to optimize air volume direction to diffusers or air grilles.

## WITH SIDE ENTRY



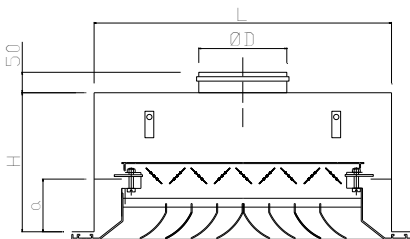
**Standard**



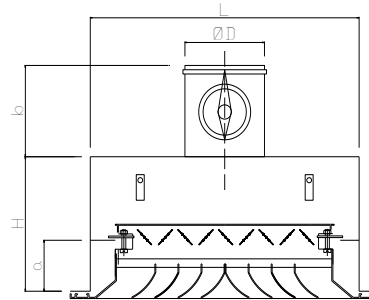
**Volume Control Damper on Spigot**

Diffuser type	L (mm)	H (mm)	a (mm)	b (mm)
<b>DTD-04</b> Without Damper	A + 80	ØD + 90	55	ØD/2 + 100
<b>DTD-04</b> With Damper	A + 80	ØD + 150	55	ØD/2 + 100
<b>DTD-05</b> Without Damper	A + 70	ØD + 85	50	ØD/2 + 100
<b>DTD-05</b> With Damper	A + 70	ØD + 135	50	ØD/2 + 100

## WITH TOP ENTRY



**Standard**



**Volume Control Damper on Spigot**

Diffuser type	L (mm)	H (mm) (minimum)	a (mm)	b (mm)
<b>DTD-04</b> Without Damper	A + 80	120	55	ØD/2 + 100
<b>DTD-04</b> With Damper	A + 80	180	55	ØD/2 + 100
<b>DTD-05</b> Without Damper	A + 70	120	50	ØD/2 + 100
<b>DTD-05</b> With Damper	A + 70	180	50	ØD/2 + 100

## INSULATION

Insulation Type	Insulation Thickness	Codification
Acoustic Foam Insulation – Class 0	5 – 10 – 15	DTD-14 – YG – A DTD-14 – ÜG – A
Thermal Insulation Rubber Foam	6 – 9 – 13	DTD-14 – YG – I DTD-14 – ÜG – I